

FEATURES

- You can use the camera by a DC 12V / 450mA (MAX)
- The camera utilizes a CCD image sensor having a high quality picture.
- Changeable Mirror/Normal images with complete waterproof knobs. (Our own patent)
- Water-resistant housing.
- Operates over a wide temperature range.
- Automatic heating when the temperature is below +10°C
- Extremely clear image with high-performance IR LED at low light (Our own patent)
- Auto shutter camera



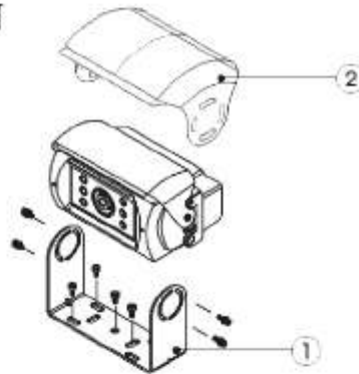
Camera input connector pin description.



Pin No.	Description
1	Video Output
2	Shutter control power (9VDC)
3	Audio Output
4	Power DC 9~14VDC
5	Ground

CAMERA INSTALLATION

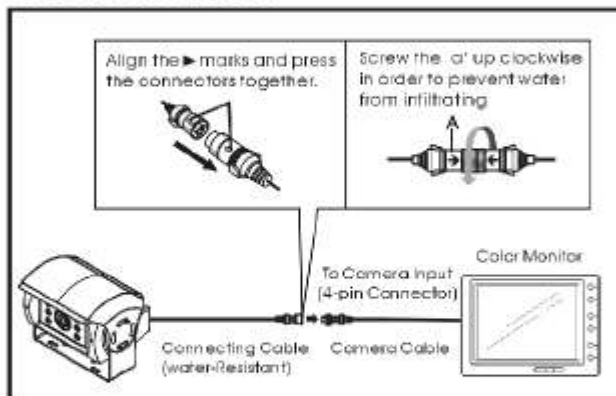
- Assemble bracket & sunshield with camera as following pictures.
- Attach the supplied mounting bracket to the vehicle. Adjust the angle of the camera and fasten the screws firmly.



C. Run the cable from the camera to the monitor.



CONNECTION



CAUTION



BEFORE MAKING THE CONNECTION, DISCONNECT THE GROUND TERMINAL FROM THE BATTERY FOR AVOIDING SHORT CIRCUITS.



THE PLUGS SHOULD BE FULLY INSERTED INTO THE CONNECTORS OR JACKS. A LOOSE CONNECTION MAY CAUSE MALFUNCTIONING OF THE UNIT.

SPECIFICATIONS

Image	Interline transfer type CCD														
Picture elements	NTSC : 270,000 / PAL : 320,000 pixels														
Image size	1/3 Inch														
Lens	Maximum aperture F=2.0														
Synchronization	Internal														
Horizontal resolution	330TV lines														
Required illumination	0.5 Lux Minimum														
Signal to noise ratio	Minimum 44dB (at AGC off)														
Power supply	12V DC														
Power consumption	4.0W														
Operating temp.	-30°C to +50°C (-22°F to +122°F)														
Weight	0.5Kg														
Dimensions	110(W) X 85(H) X 75(D) mm 4.3(W) X 3.4(H) X 3.0(D) Inch														
Supplied Acc'y	<table border="0"> <tr> <td>Φ 5 X 16L Stainless screw</td> <td>(4)</td> </tr> <tr> <td>Rubber Nut</td> <td>(4)</td> </tr> <tr> <td>W/washer Φ 5 X 16L Stainless screw</td> <td>(4)</td> </tr> <tr> <td>W/washer Φ 4 X 10L Stainless screw</td> <td>(4)</td> </tr> <tr> <td>Camera Bracket</td> <td>(1)</td> </tr> <tr> <td>L-wrench 3mm</td> <td>(1)</td> </tr> <tr> <td>Sunshield 3mm</td> <td>(1)</td> </tr> </table>	Φ 5 X 16L Stainless screw	(4)	Rubber Nut	(4)	W/washer Φ 5 X 16L Stainless screw	(4)	W/washer Φ 4 X 10L Stainless screw	(4)	Camera Bracket	(1)	L-wrench 3mm	(1)	Sunshield 3mm	(1)
Φ 5 X 16L Stainless screw	(4)														
Rubber Nut	(4)														
W/washer Φ 5 X 16L Stainless screw	(4)														
W/washer Φ 4 X 10L Stainless screw	(4)														
Camera Bracket	(1)														
L-wrench 3mm	(1)														
Sunshield 3mm	(1)														